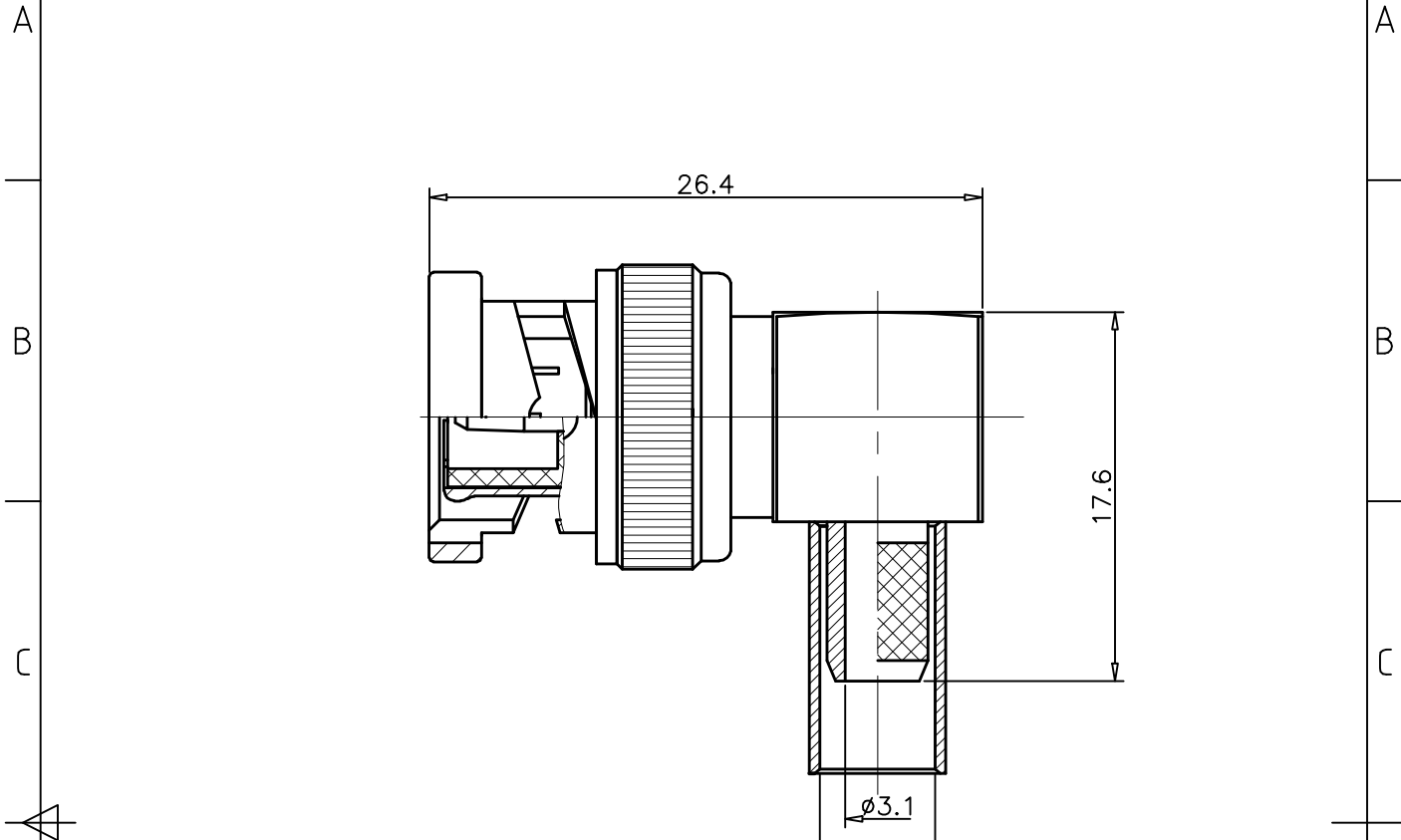


1	2	3	4	
RevNo	Revision note	Date	Signature	Checked
00	Sketch Only	5/14/14	Teresa	Simon



Interface Per: MIL-STD-348, IEC 60169-8

Material & Finishing:

- 1. Center conductor: Brass, Gold Plating
- 2. Insulators: PTFE
- 3. Spring Washer: Beryllium Copper
- 4. Gasket: Silicone Rubber
- 5. Body & Other Metal: Brass, Nickel Plating

RoHS Compliant.

ALL DIMENSIONS ARE IN MILLIMETERS AND [INCHES]

Title			
BNC male right angle crimp for LMR195 cable			

KERUI ELECTRONIC CO;LTD

THESE DRAWING & SPEC. ARE THE PROPERTY OF KERUI ELECTRONIC CO;LTD AND SHALL NOT BE REPRODUCED, OR COPIED OR USED AS THE BASIS FOR THE MANUFACTURE OR SALE OF APPARATUS OR DEVICES WITHOUT THEIR EXPRESS WRITTEN CONSENT.

UNLESS OTHERWISE NOTED ALL SURFACES FINISHED TO 64/MAX.

ALL TOLERANCES ARE:		
DECIMALS	FRACTIONS	ANGLES
x ± 1.0	±1/64	x' ± 1°
x.x ± 0.5		x'x' ± 0.5°
x.xx ± 0.1		

Drawn by Teresa	Ckd by Simon	Appd by Richard	Date 5/14/2014
--------------------	-----------------	--------------------	-------------------

Scale 3:1	Sheet 1 of 1	60 1011 111 01
--------------	--------------	----------------